

EN	SKID PLATE INSTALLATION MANUAL
FR	MANUEL D'INSTALLATION DE PLAQUE DE PROTECTION
DE	MONTAGEEINLEITUNG FÜR UNTERBODENSCHUTZSYSTEM
RU	ИНСТРУКЦИЯ ПО УСТАНОВКЕ КОМПЛЕКТА ЗАЩИТ

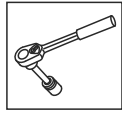


For: CF MOTO 500 H.O. (2015-)

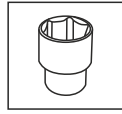
2444.6846.1

444.6846.1

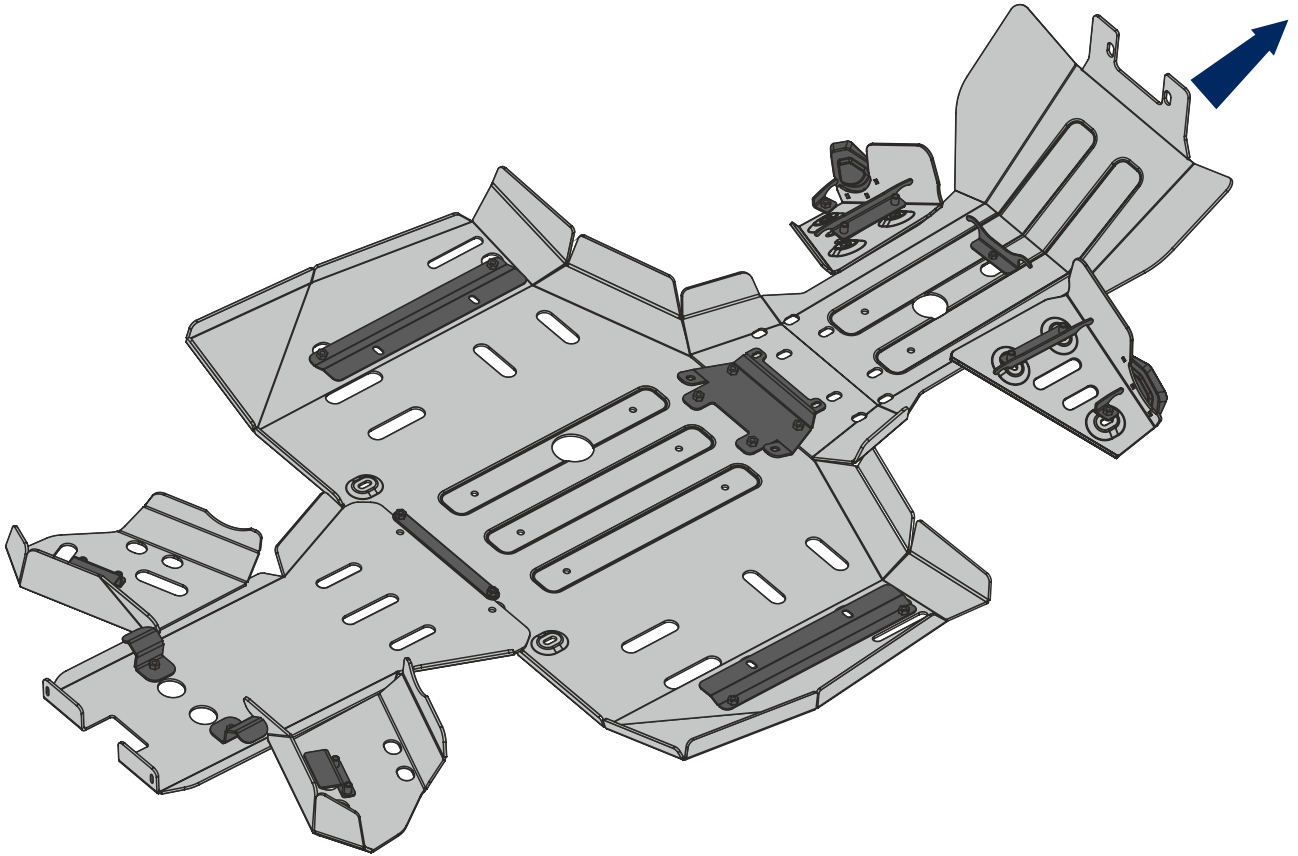


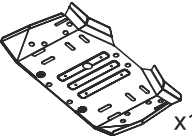
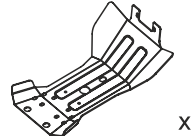
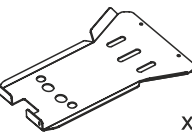
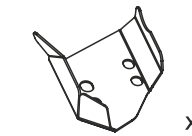
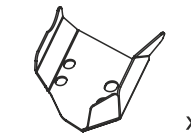
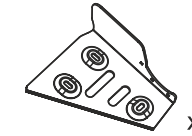
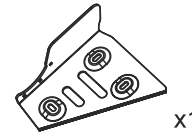
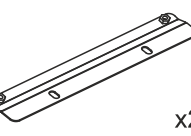
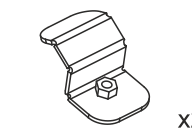
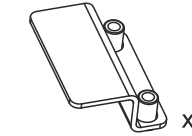
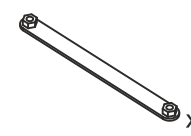
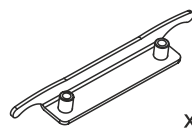
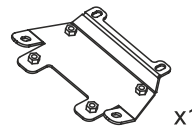
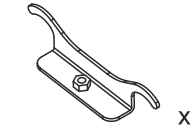
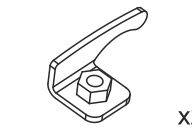
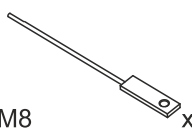
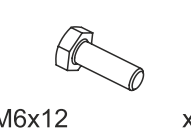
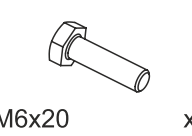
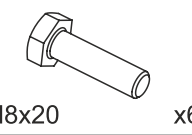
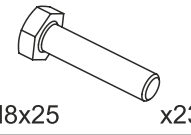
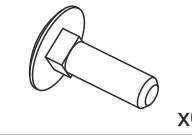




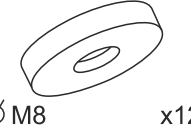

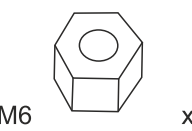

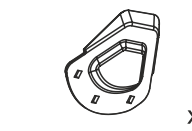


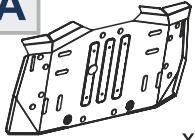
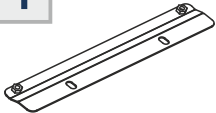
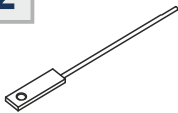

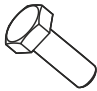
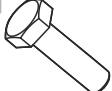

EN Ratchet
FR Clé À Cliquet
DE Ratsche
RU Трещетка

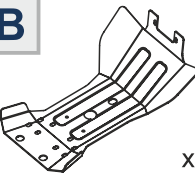
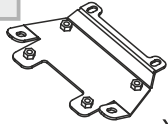
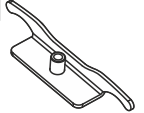


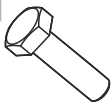
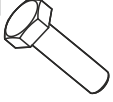


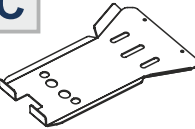

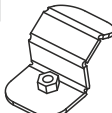


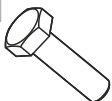
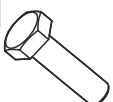
S - 10;
S - 13




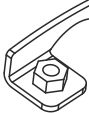
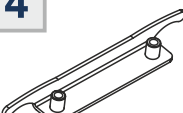




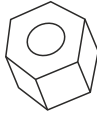
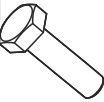
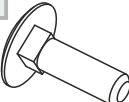


 x1	 x1	 x1	 x1	 x1	 x1
 x1	 x2	 x2	 x2	 x1	 x2
 x1	 x1	 x2	 M8 x4	 M6x12 x4	 M6x20 x6
 M8x20 x6	 M8x25 x23	 x6	 Ø M6 x4	 Ø M8 x17	 Ø M6 x6
 Ø M6 x6	 Ø M8 x12	 Ø M6 x6	 M6 x6	 x1	 x1

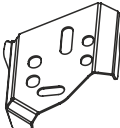

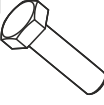



A  x1	1  x2	2  M8 x4	3  $\varnothing 8$ x6	4  M8x20 x6	5  M8x25 x6
	6  $\varnothing 8$ x6				

B  x1	1  x1	2  x1	3  $\varnothing 8$ x3	4  $\varnothing 6$ x4	5  M6x20 x4
	6  M8x25 x3				

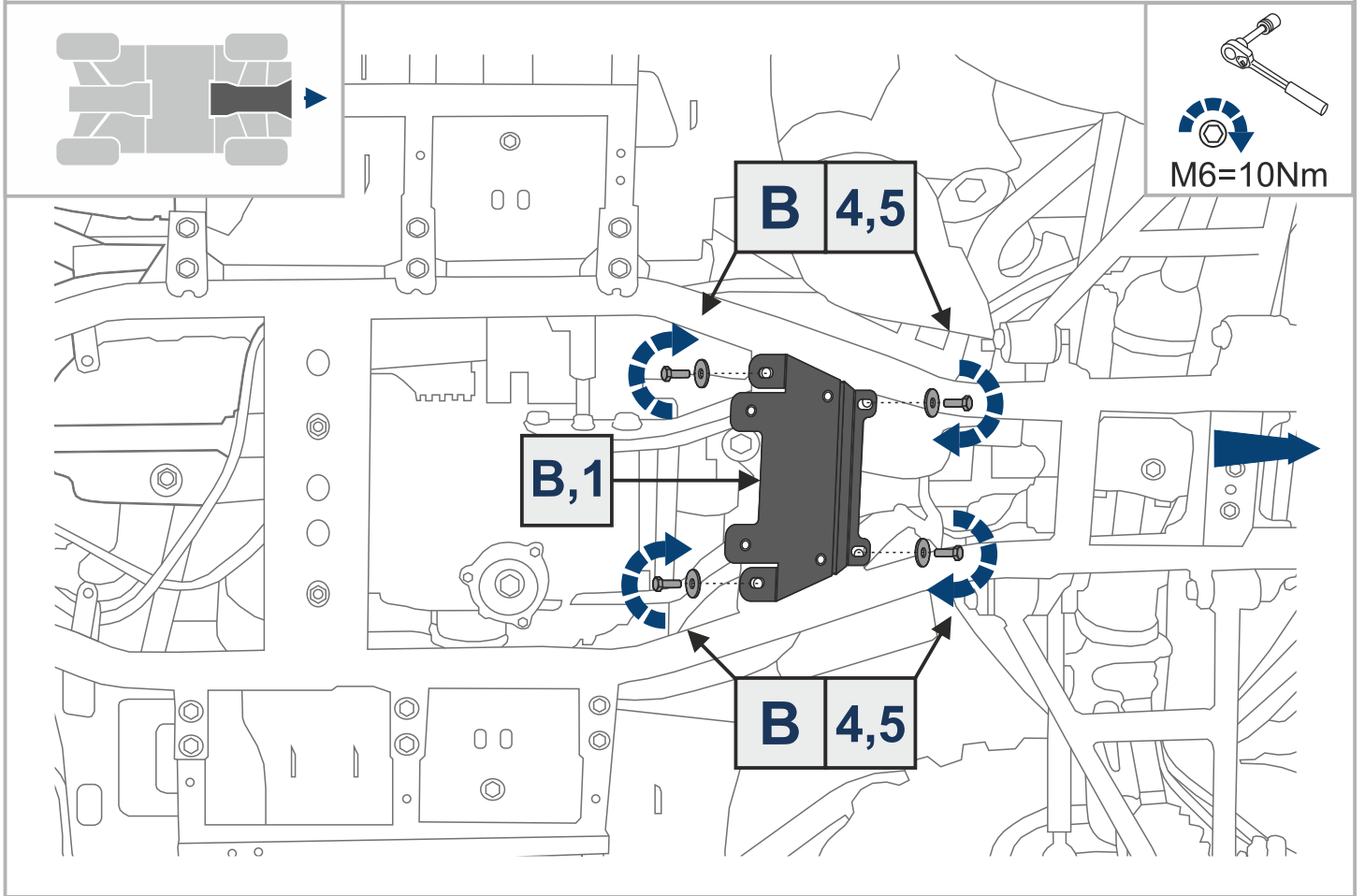
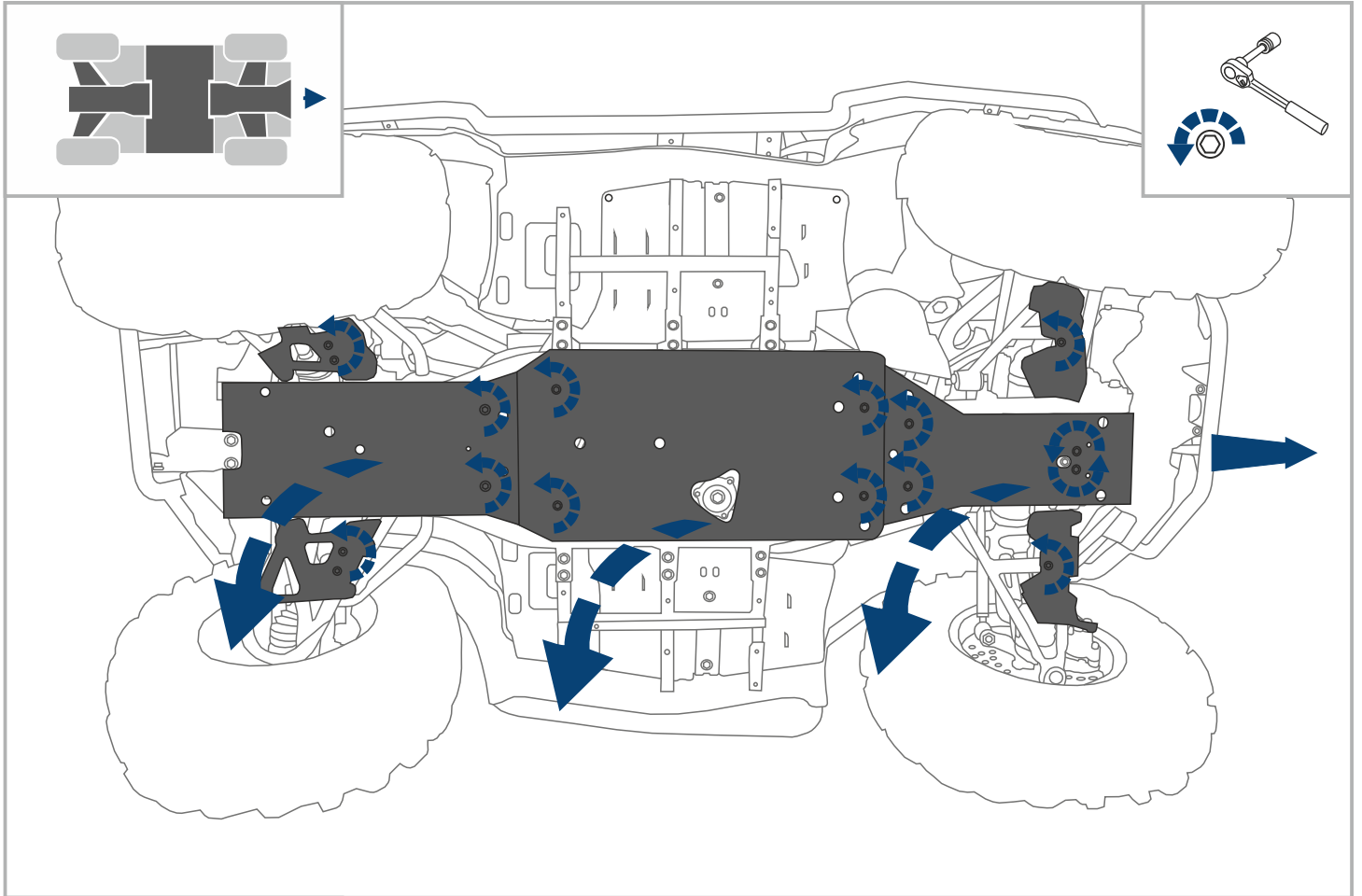
C  x1	1  x1	2  x2	3  $\varnothing 8$ x3	4  $\varnothing 6$ x2	5  M6x20 x2
	6  M8x25 x3				

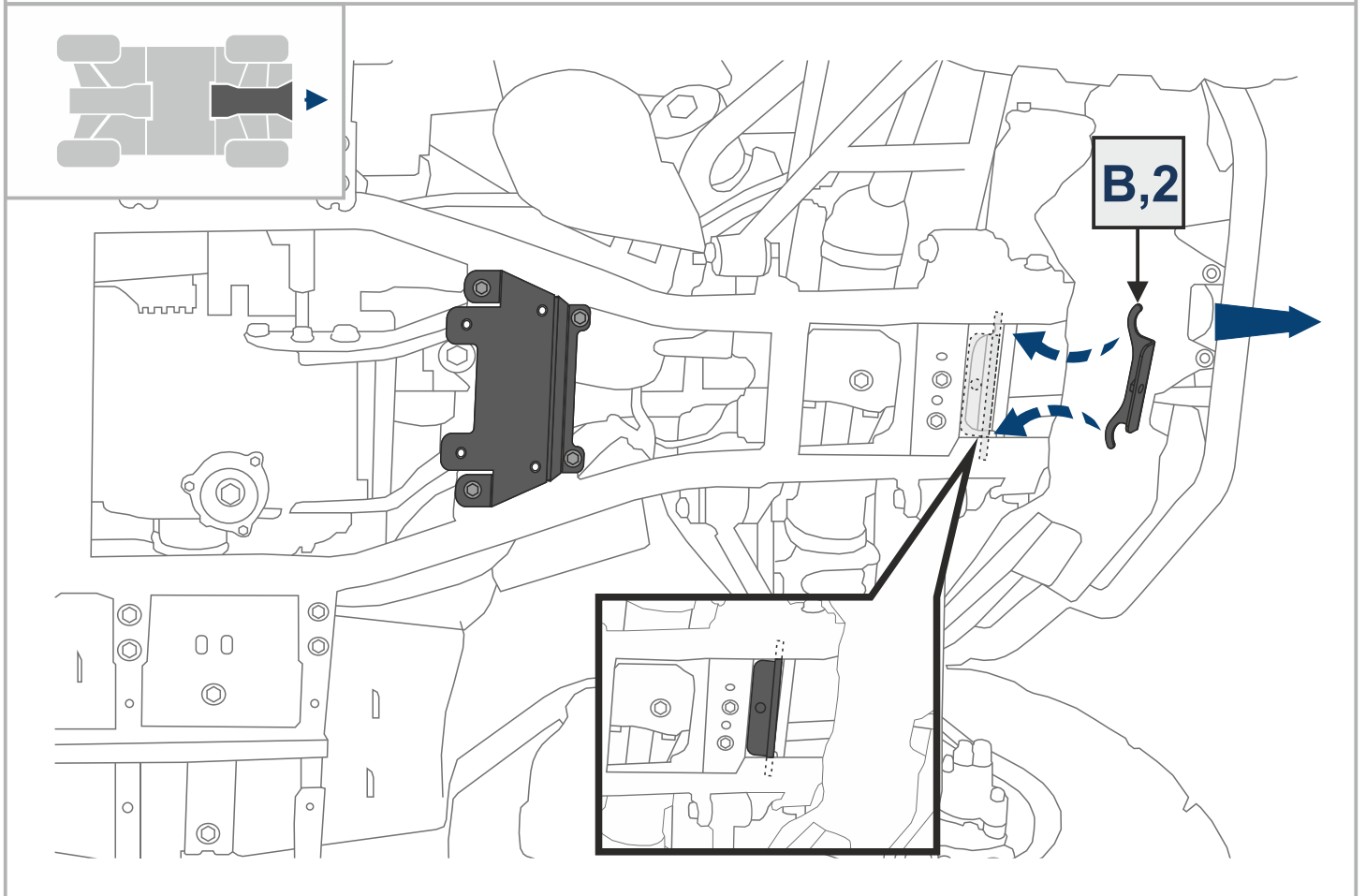
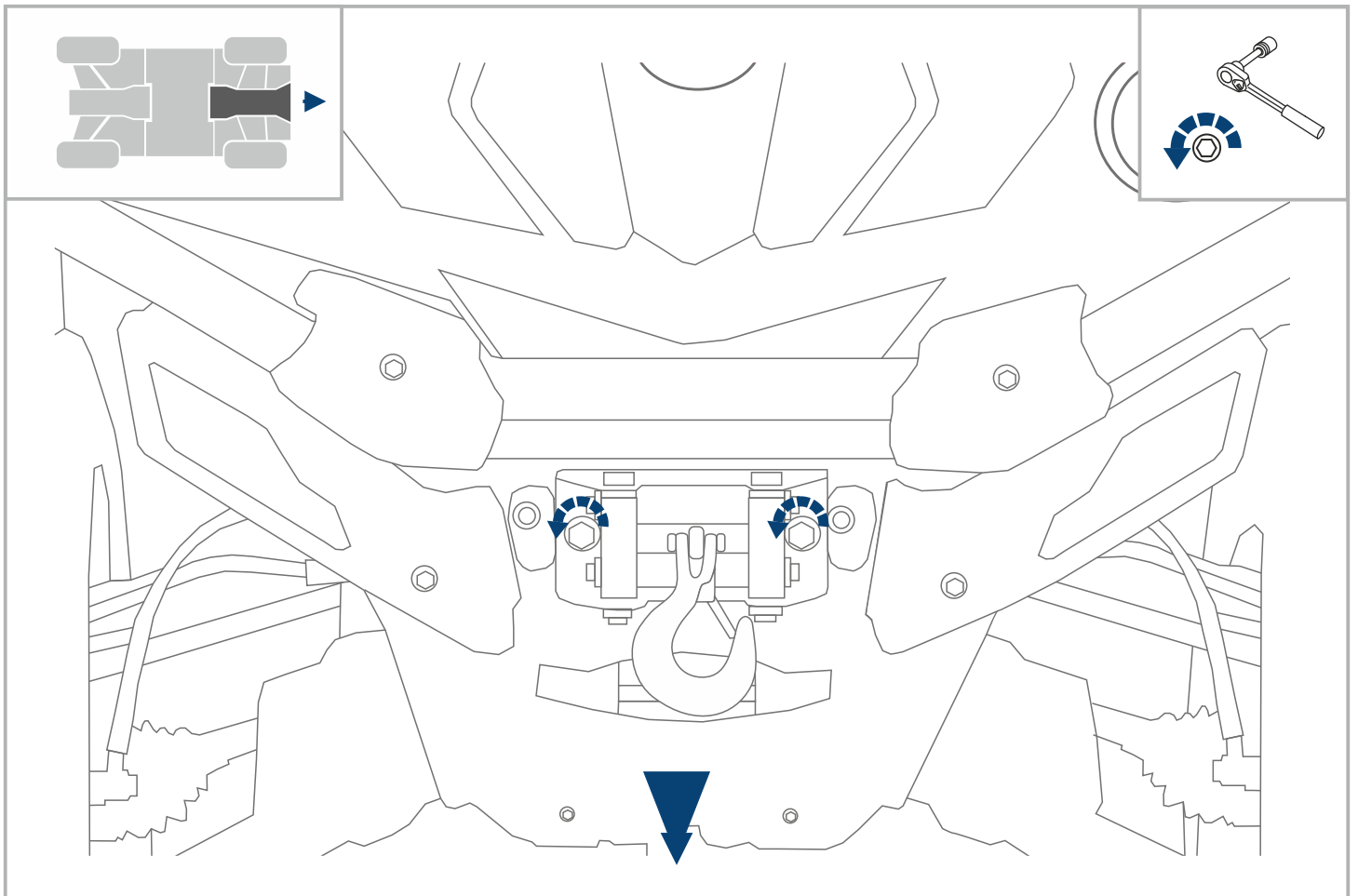
D  x1	1  x1	2  x1	3  x2	4  x2	5  $\varnothing 6$ x6
---	---	---	---	---	---

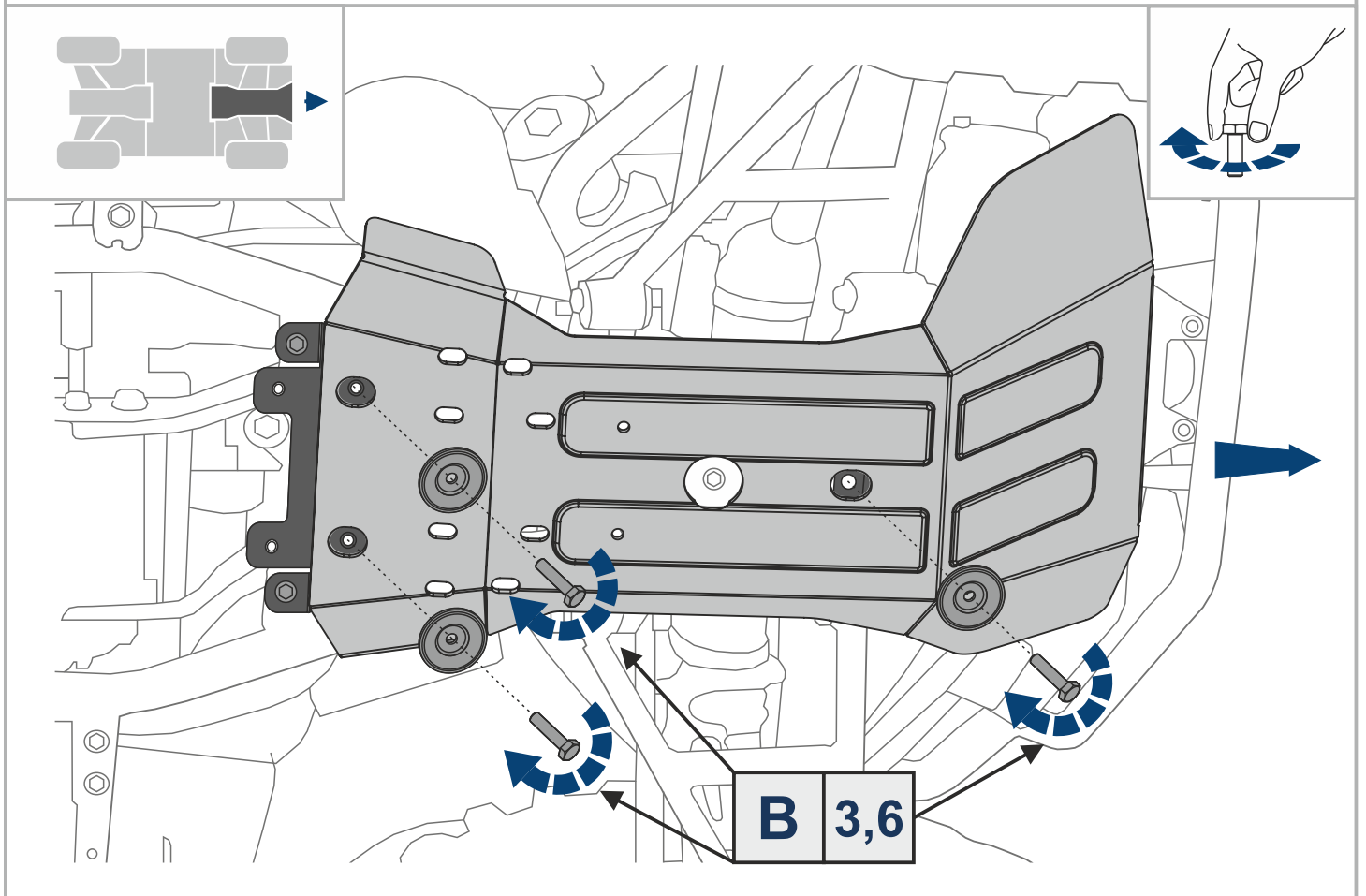
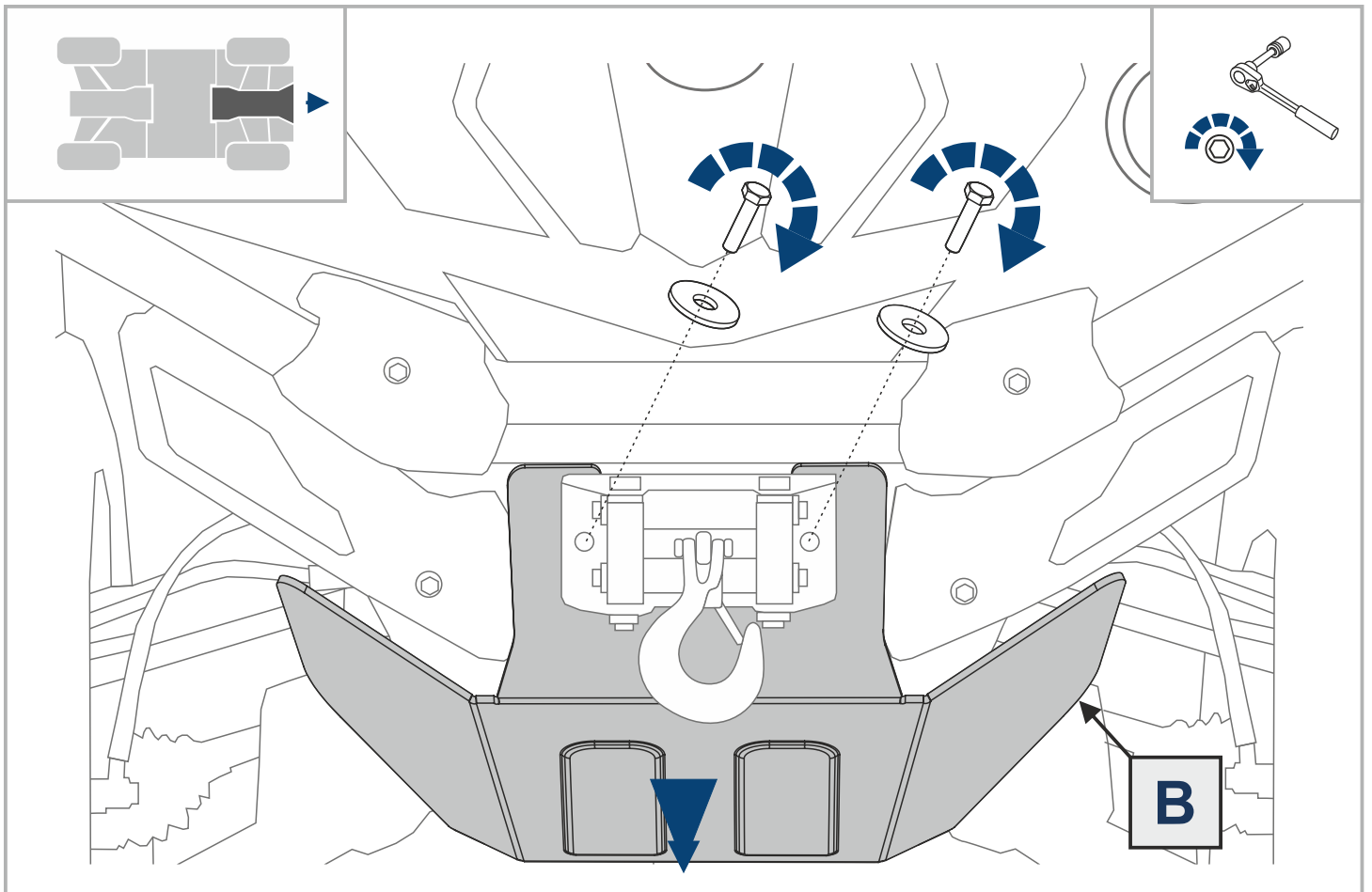
E  x1	6  M6 x6	7  M8x25 x6	8  x6	9  $\varnothing 6$ x6	10  $\varnothing 8$ x6
---	--	---	--	---	--

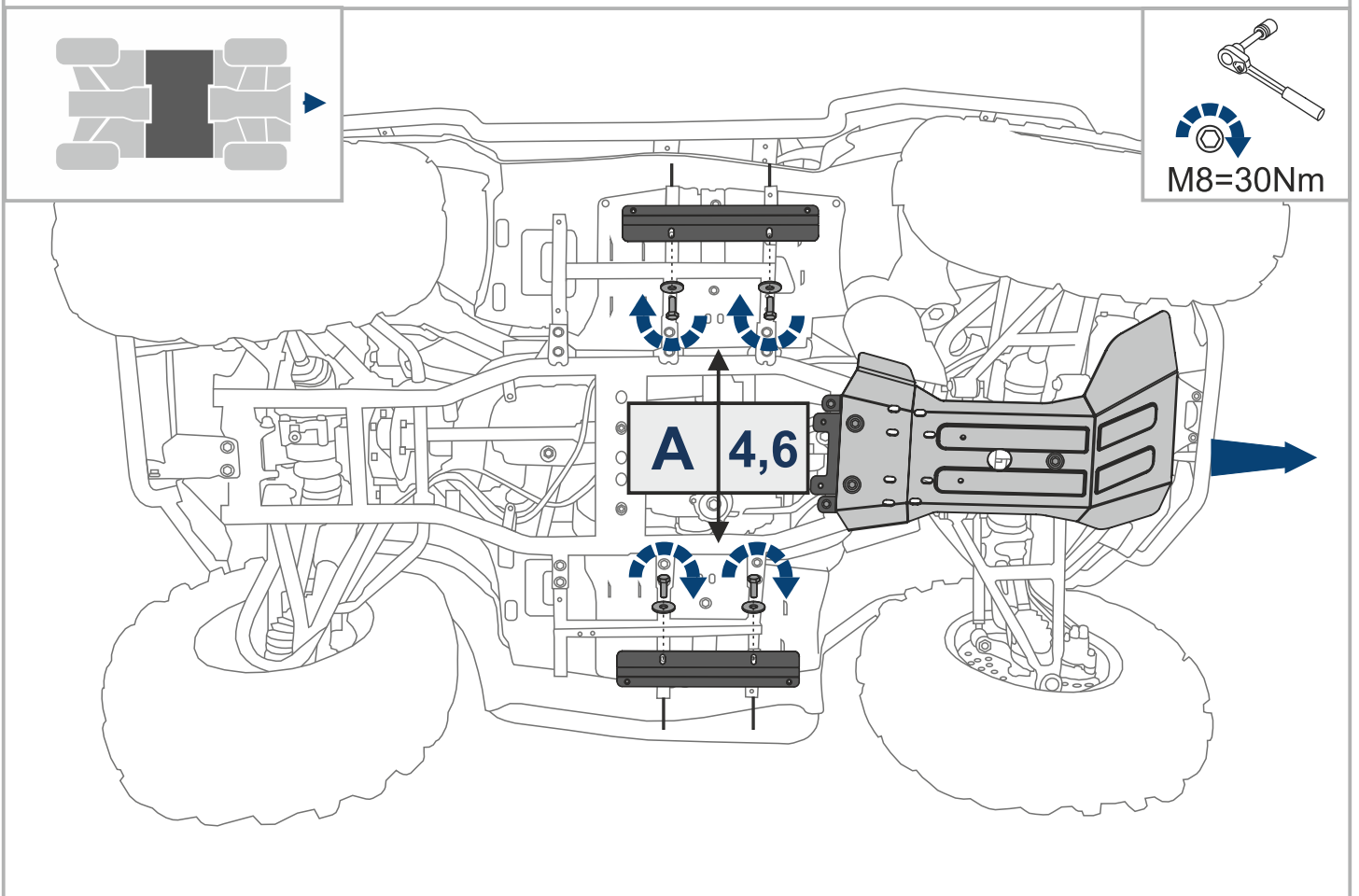
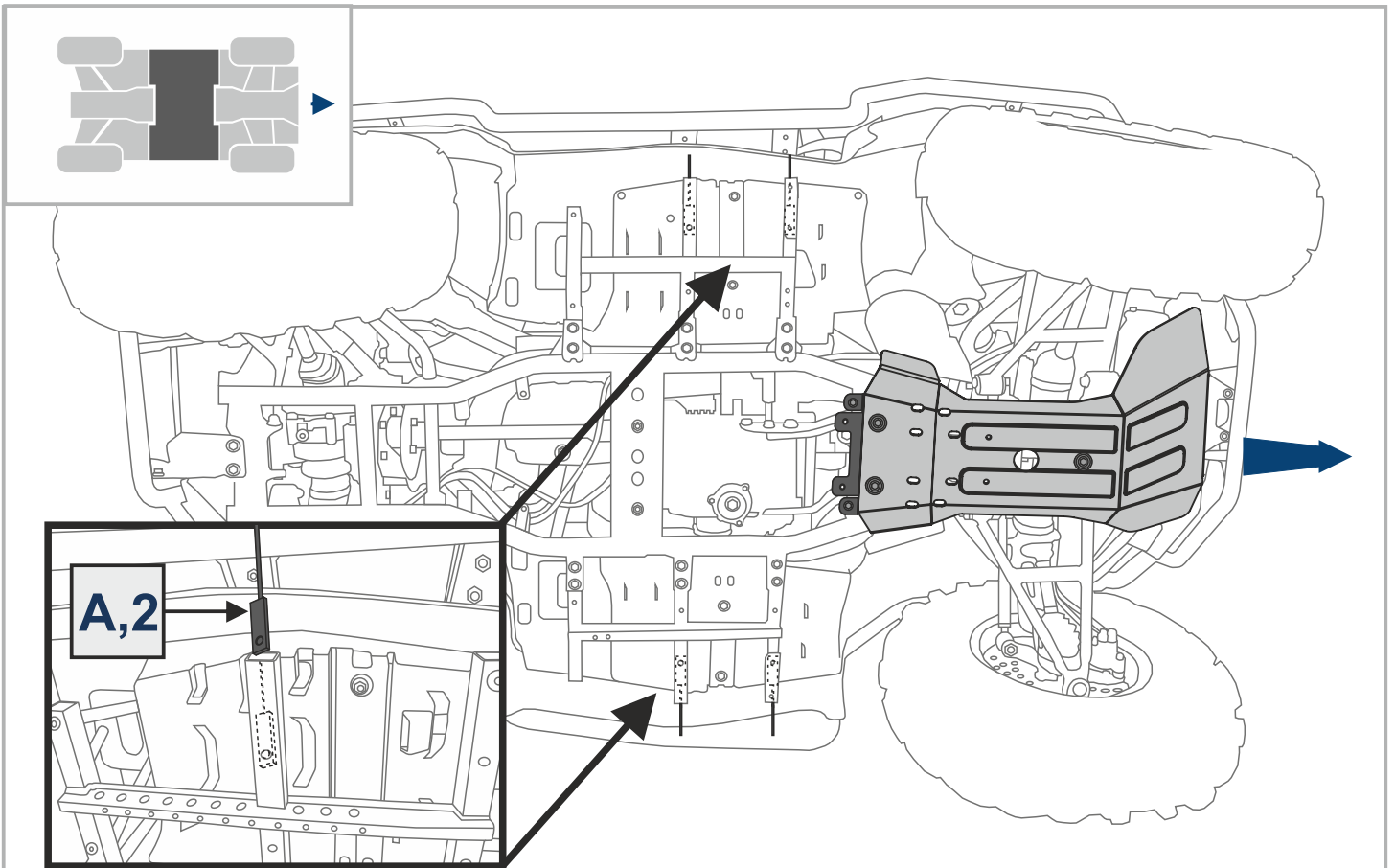
F  x1	1  x2	2  M8x25 x4	3  M6x12 x4	4  $\varnothing 6$ x4	5  $\varnothing 8$ x4
---	---	---	---	---	---

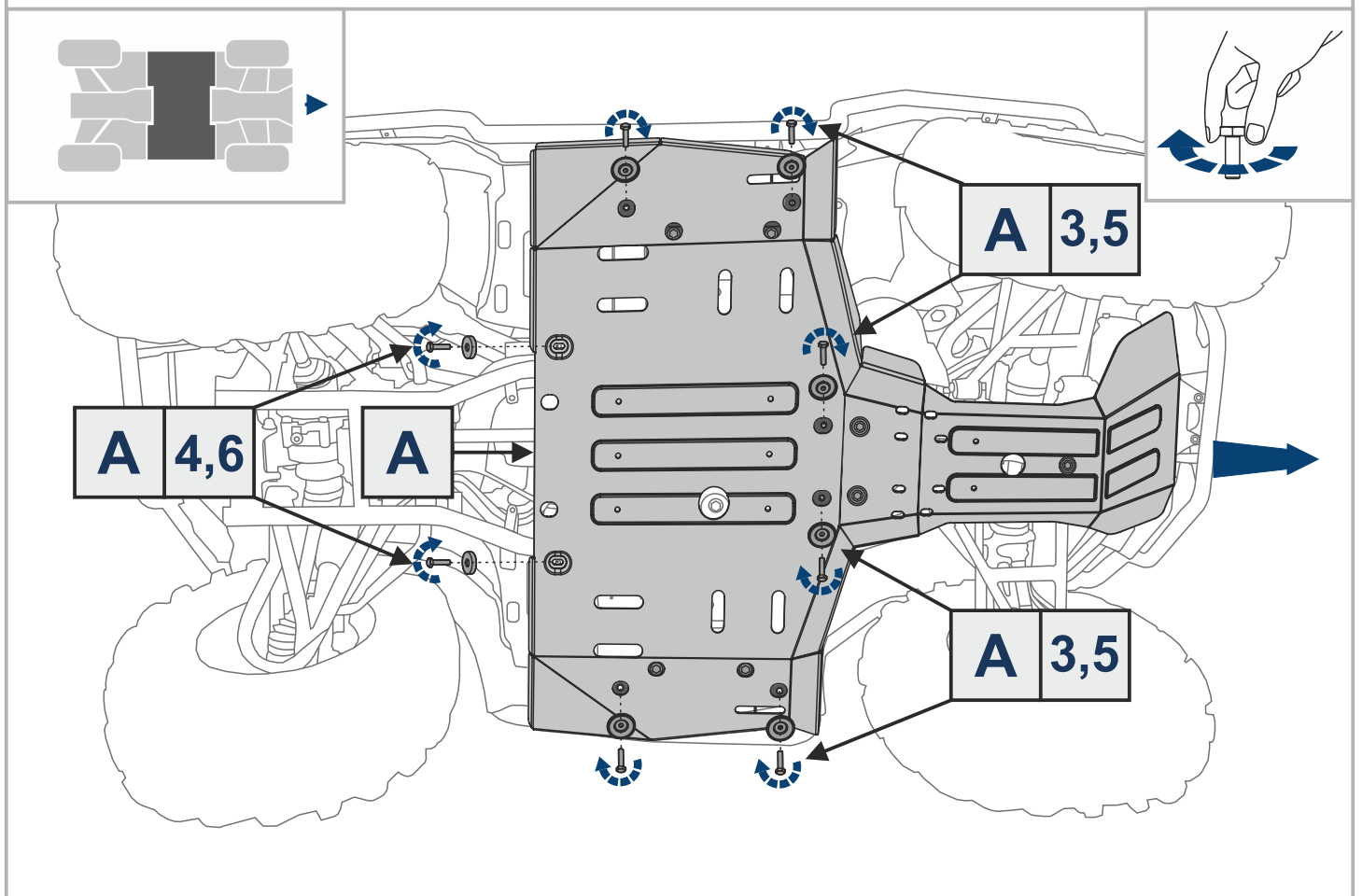
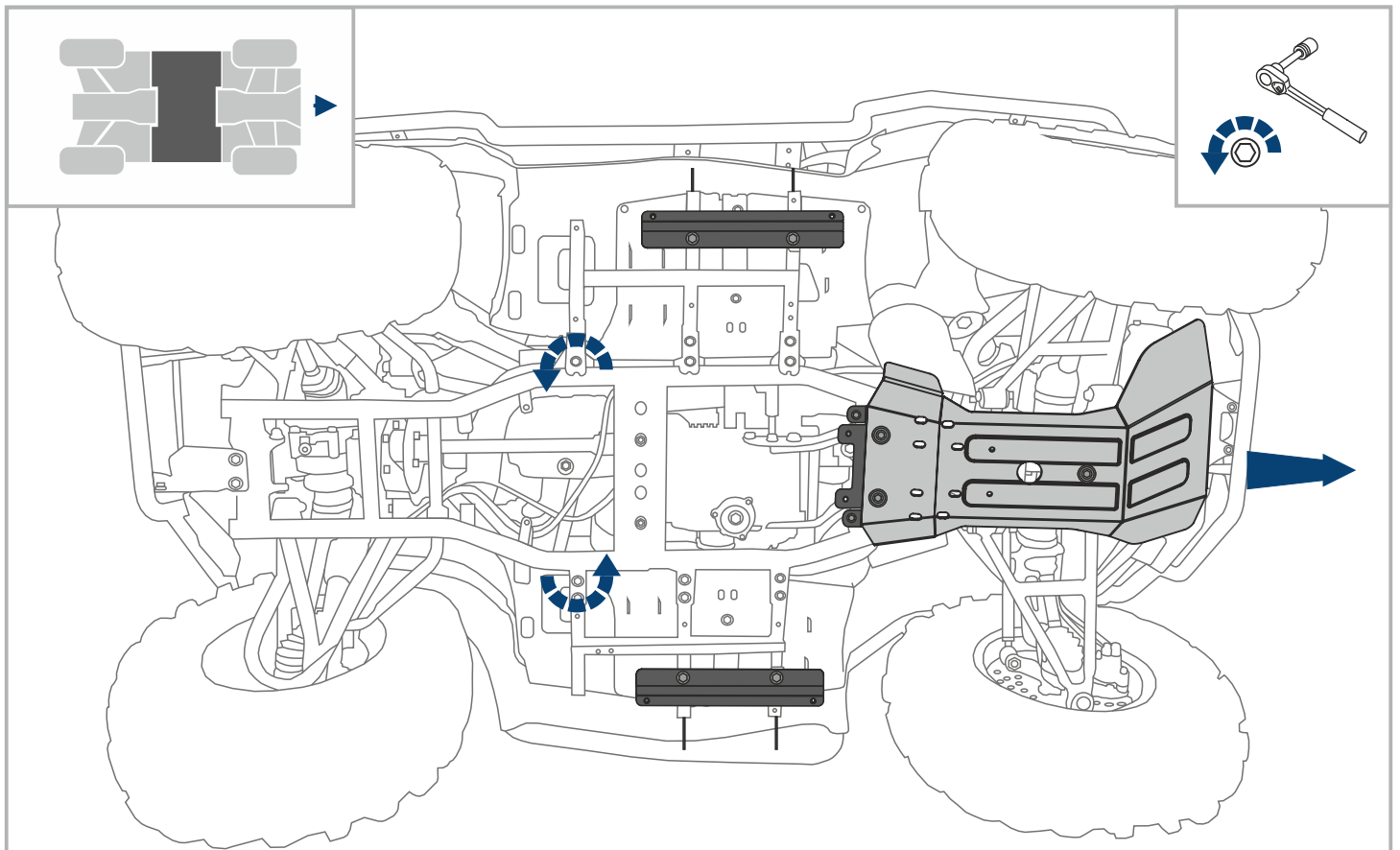
G  x1					
---	--	--	--	--	--

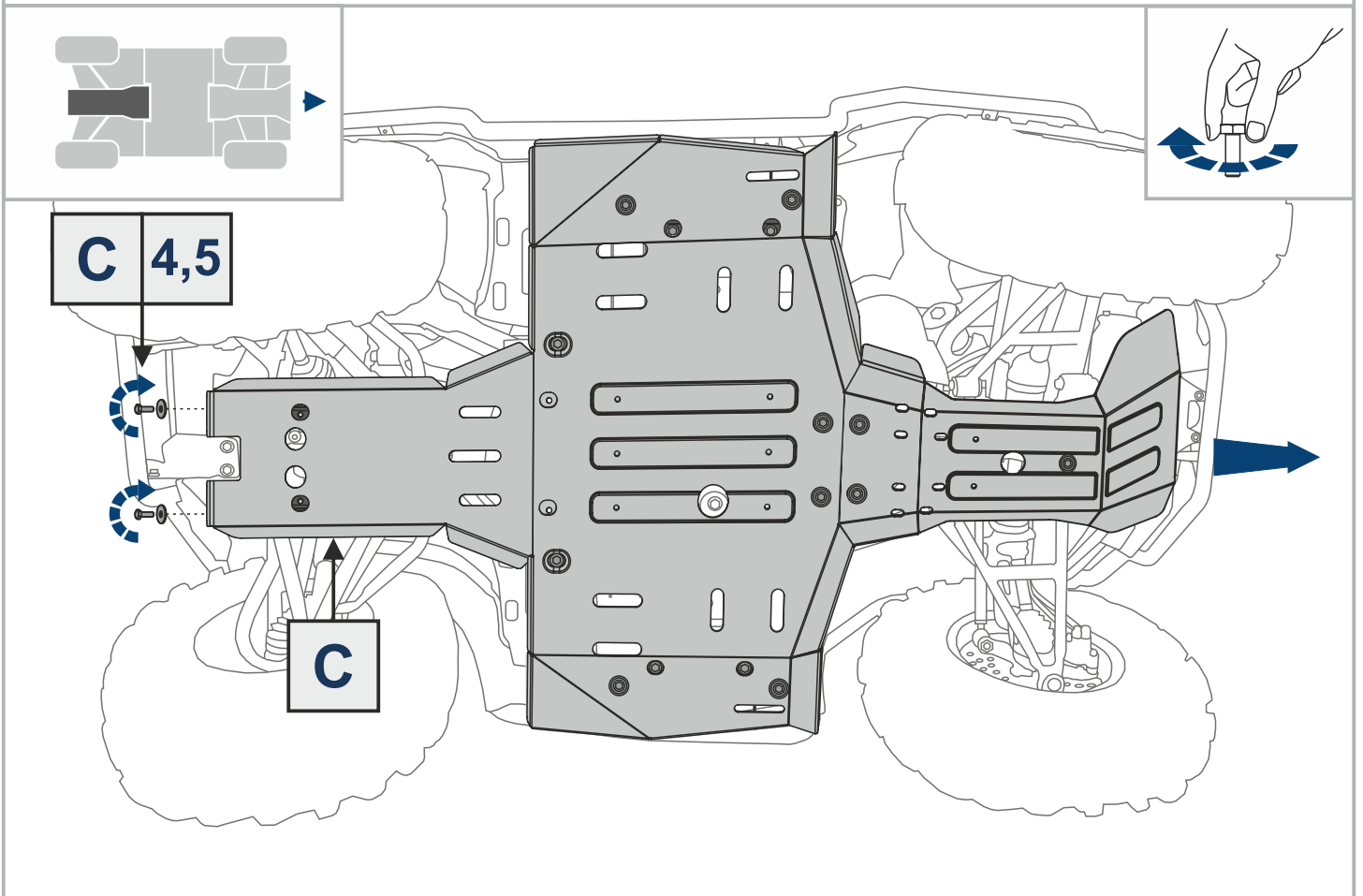
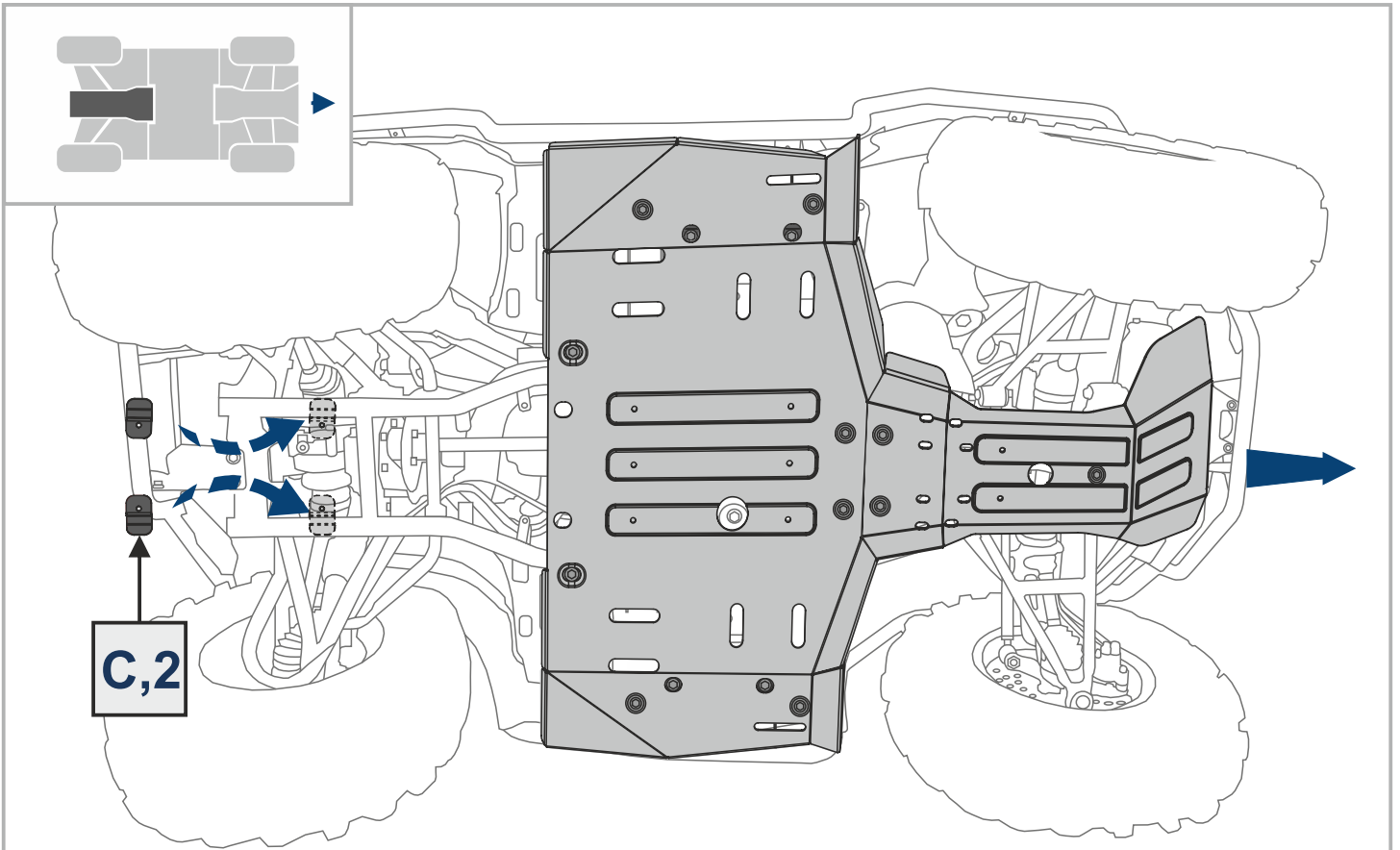


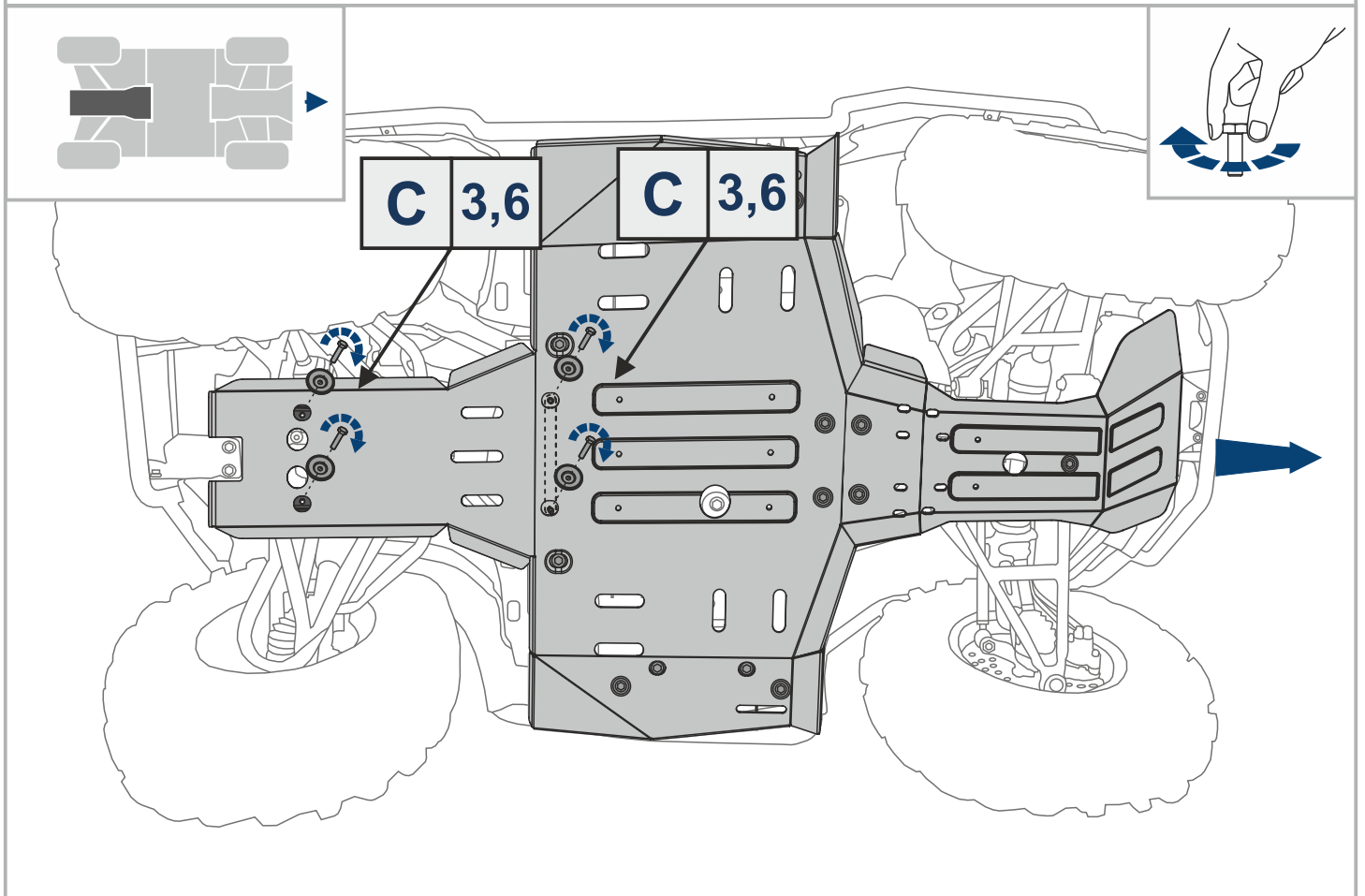
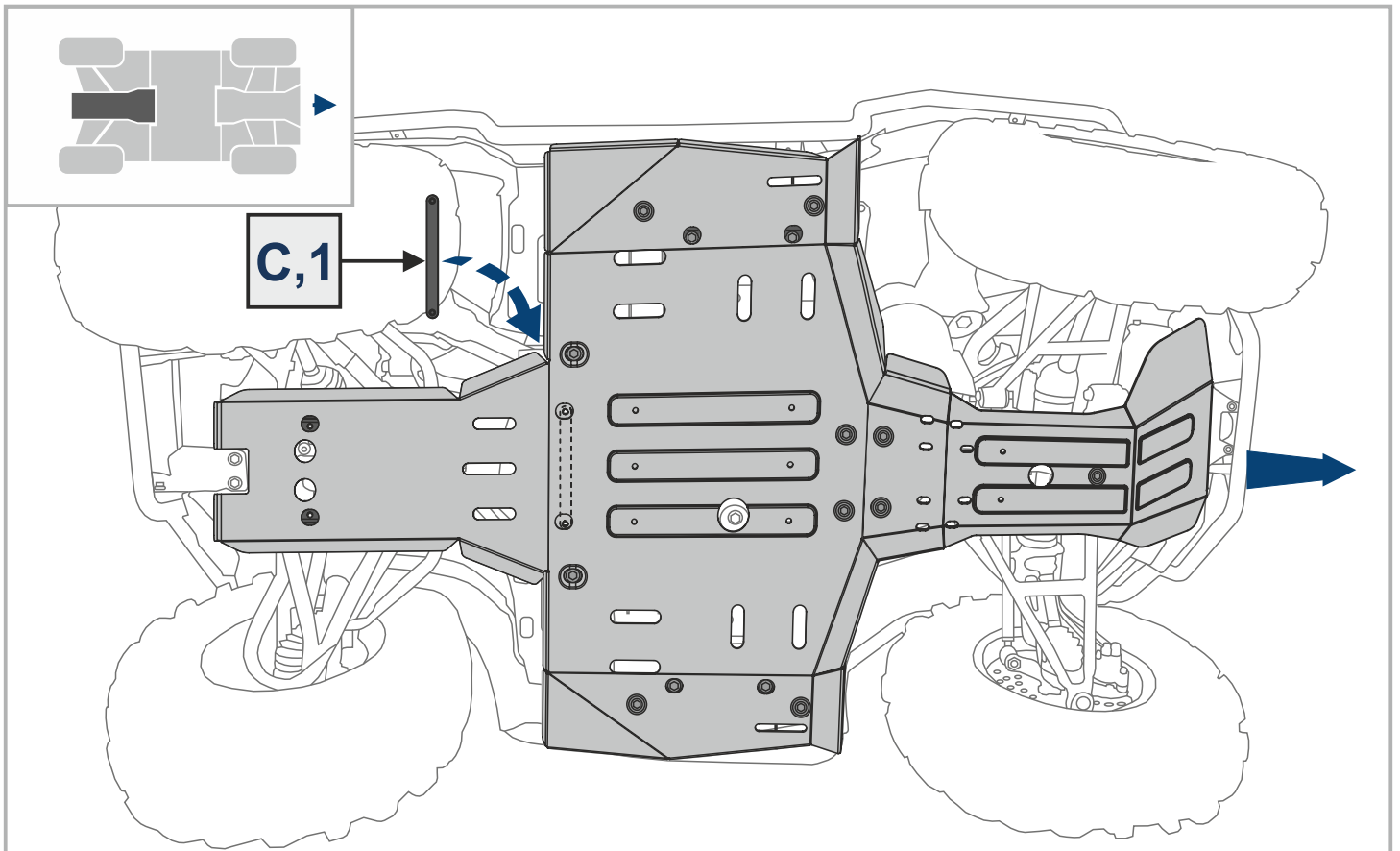


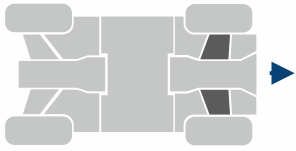








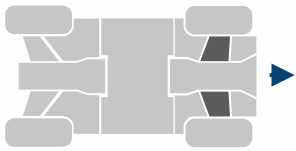
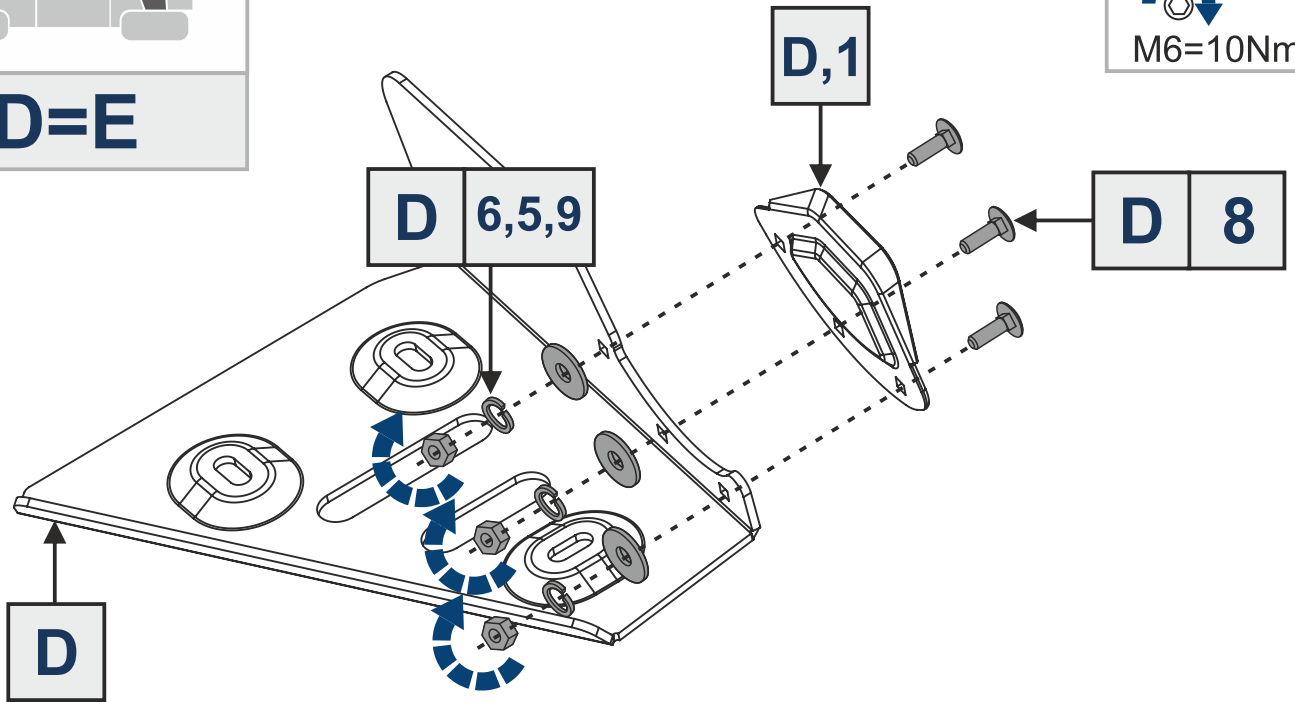




D=E



M6=10Nm



D=E

